

# AL8X (AL80B, AL800, AL800H, AL572) SCHEMATICS

REV1 5/2026

THESE SCHEMATICS ARE PROPERTY OF CTR ENGINEERING AND W8JI. THEY ARE FOR PERSONAL USE ONLY. THEY ARE NOT FOR REPRODUCTION, SALES, OR COMMERCIAL USE IN ANY FORM.

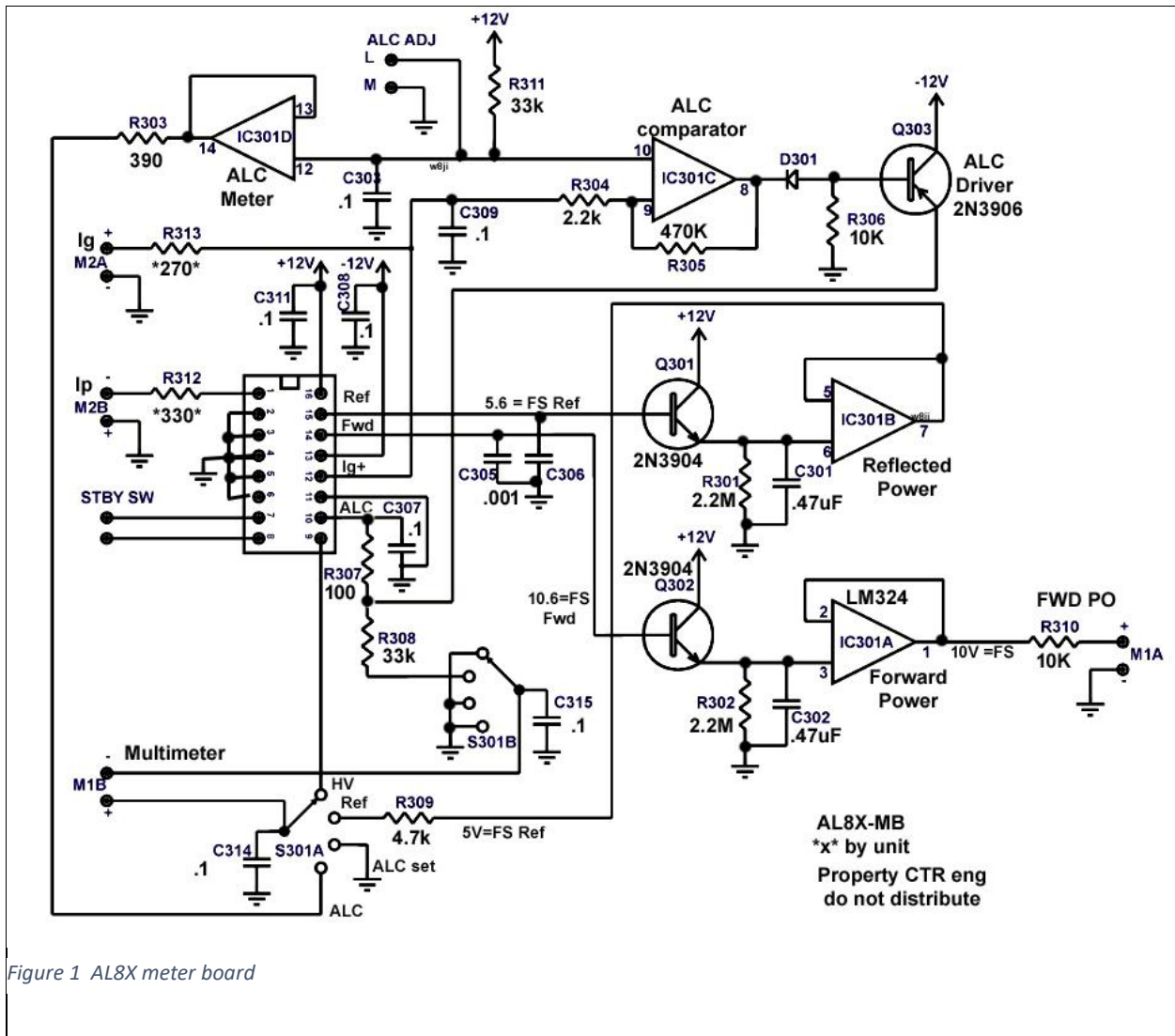


Figure 1 AL8X meter board

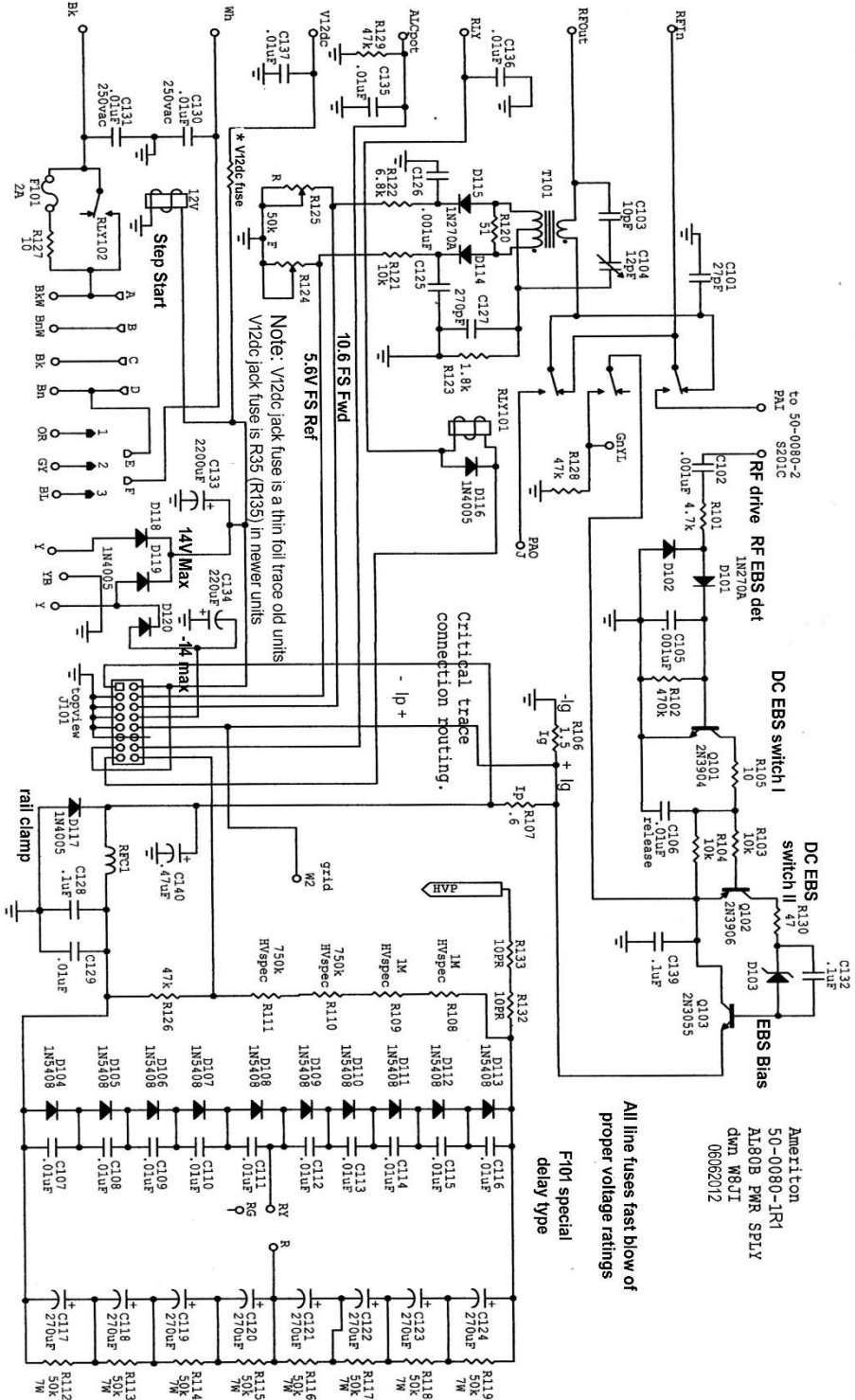


Figure 2 older AL80X units main board

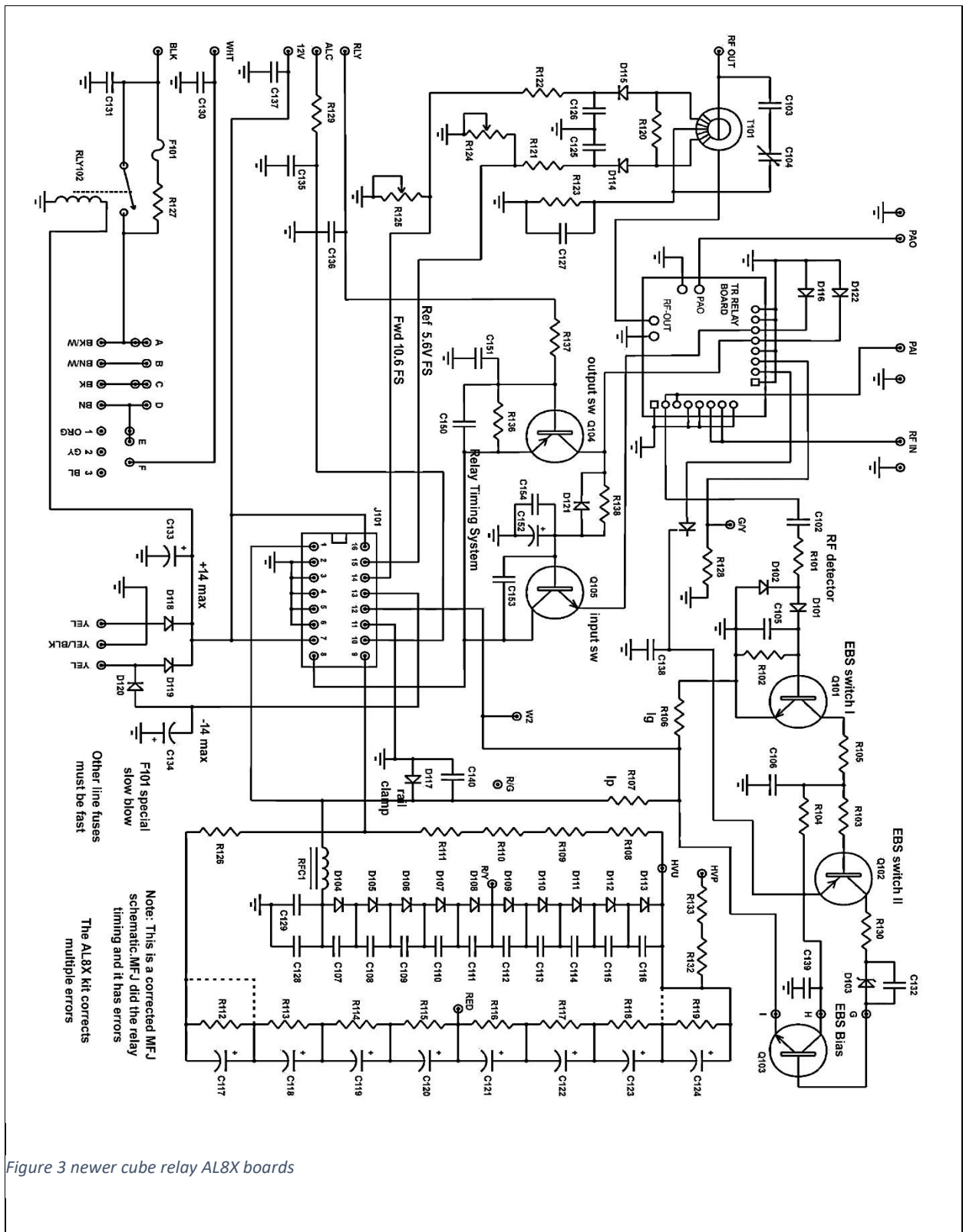


Figure 3 newer cube relay AL8X boards